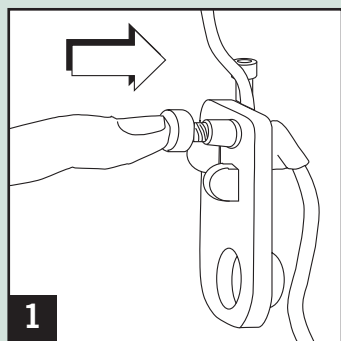


Plum[®] Priming Cassette Procedures

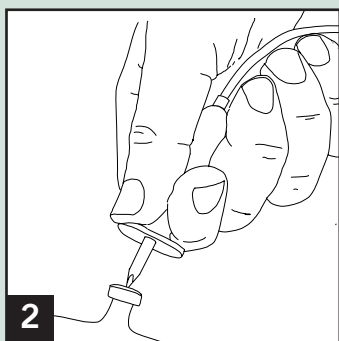


Using aseptic technique, prepare cassette for priming:

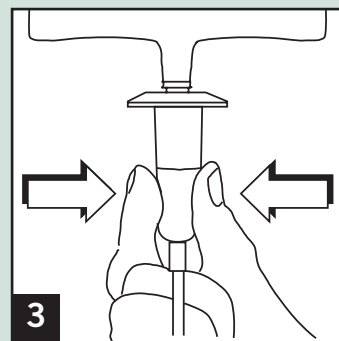
1



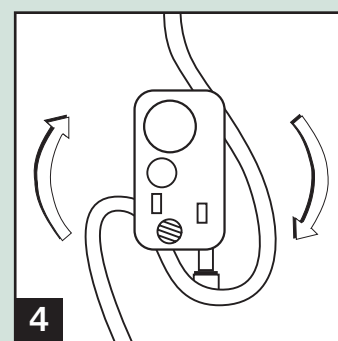
1. Make sure flow regulator is closed.



2. Insert Piercing pin with a twisting motion.



3. Fill drip chamber.



4. Invert the cassette.

P

S

T

E

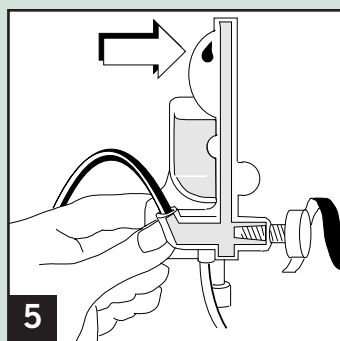
S

T

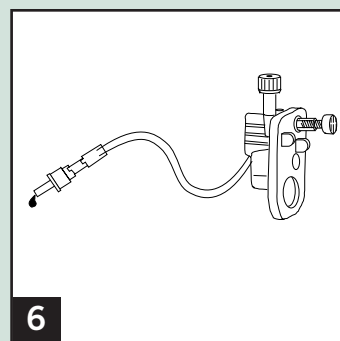
E

P

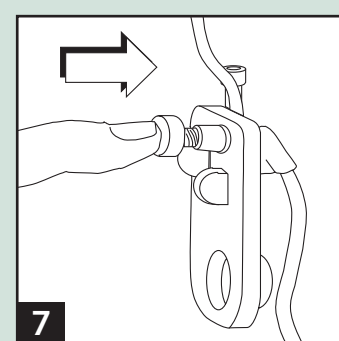
2



5. Turn the flow regulator counterclockwise until a drop of fluid is seen in the pumping chamber.



6. Turn the cassette upright, and prime the remainder of the administration set.

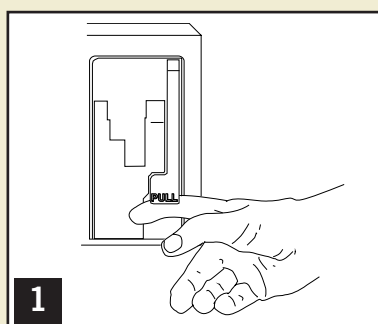


7. Push in the flow regulator to close.

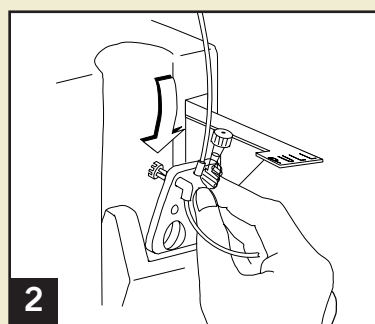
8. Confirm there is no flow.

To load the cassette:

2



1. Open the cassette door by lifting up the handle.
2. Insert cassette into door guides.



3. Close the cassette door.
4. Confirm there is no flow.

For further

information call

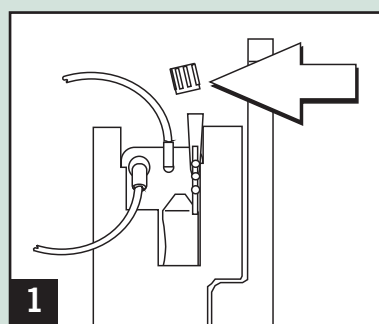
1-877-9HOSPIRA,

or visit us at

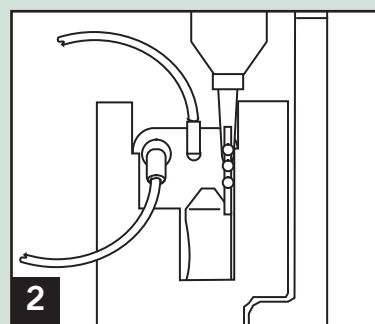
www.Hospira.com

To set up a Secondary Medication Delivery

3



1. With cassette door closed: loosen and remove white cap, then discard.
2. Add secondary tubing or syringe.



3. Set up infuser per operating instructions. See appropriate operating manual.

If the secondary port is in use, always close the slide clamp on the primary set prior to opening the door.